



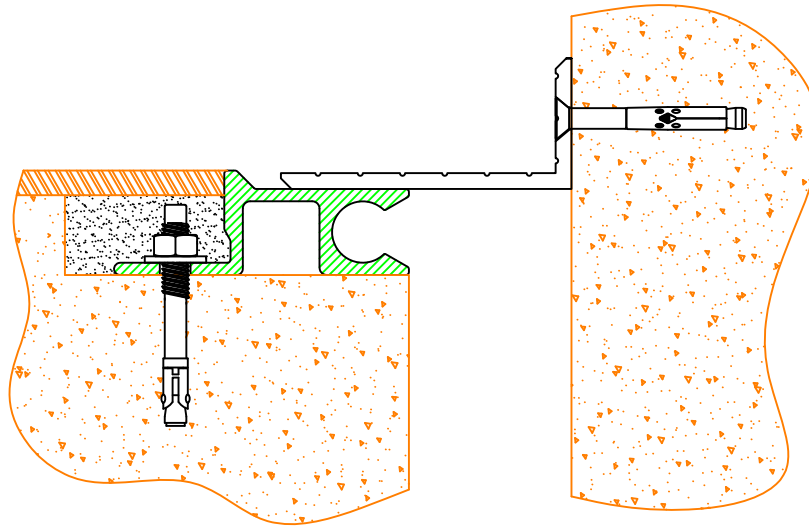
Installation Procedure

Watson Bowman Acme Corp. 95 Pineview Drive Amherst, NY 14228

phone: (716) 691-7566 fax: (716) 691-9239

website: www.wbacorp.com

Information provided herein, including but not limited to, any drawing, design, photograph, graphic, or statement(s) ("Materials") are proprietary and the property of Watson Bowman Acme Corporation ("Company"). Reproduction, translation, or reduction to any electronic medium or machine readable form, in whole or part, is strictly prohibited, except for the express purpose for which it has been furnished, without prior written consent of Company. All Materials contained herein are provided by Company for information purposes only. Company reserves the right to amend or withdraw any information contained in the Materials without notice. All technical or other advice by Company, whether verbal or written, concerning products, or the use of products in specific situations ("Advice") is given by Company and is used at the Users own risk.



Wabo® SeismicFloor Series Model(s) FNB-200C - 2400C Horizontal Expansion Control Systems

The following installation procedure is very important and must be fully understood prior to beginning any work. To ensure proper installation and performance of expansion joint system the following actions must be completed by the installing contractor. Failure to do so will affect product warranty.

- 1) Carefully read and understand installation procedure. Contact WBA's Technical Service Department at (800) 677-4922 for product assistance.
- 2) Inspect all shipments and materials for missing or damaged components and hardware. Contact Customer Service at (800) 677-4922 with WBA's order number and invoice for prompt assistance.
- 3) Inspect substrate or adjacent construction for acceptance before beginning work. Report unacceptable construction to the project manager for scheduled repair work.
- 4) Review WBA shop drawings for project specific detailed information if Engineering services were purchased at time of order.

Standard components

FNB Aluminum base extrusion
(Models: 200 thru 400)
P/N: 11112

1/4" x 2-1/4" Concrete anchor with nut and washer
P/N: 6581

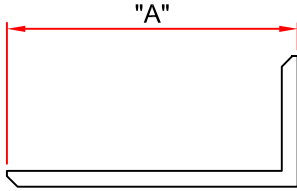
* 1/4" x 2" CSK flat head concrete anchor
P/N: 6913

1/4" X 1 1/4" Lg Screw
P/N: 5621

1/4" X 5/8" Lg Screw
P/N: 5620

Aluminum base assembly
(Models: 500 thru 2400)
P/N: 15804

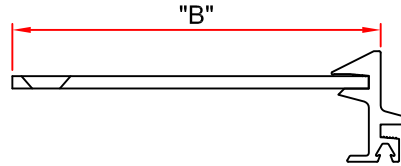
Components shown below vary in size depending on model of system



Aluminum Cover Plate

Model	"A"	Part Number	Model	"A"	Part Number
FNB-200C	3 7/16"	12160	FNB-800C	11 1/8"	12165
FNB-300C	4 15/16"	12161	FNB-1000C	13 5/16"	12166
FNB-400C	5 7/16"	12162	FNB-1200C	15 13/16"	12167
FNB-500C	7 7/8"	12163	FNB-1800C	23 1/2"	12168
FNB-600C	8 3/8"	12164	FNB-2400C	30"	12169

2 7/32"
FNB-500C/600C
Extension P/N: 11015



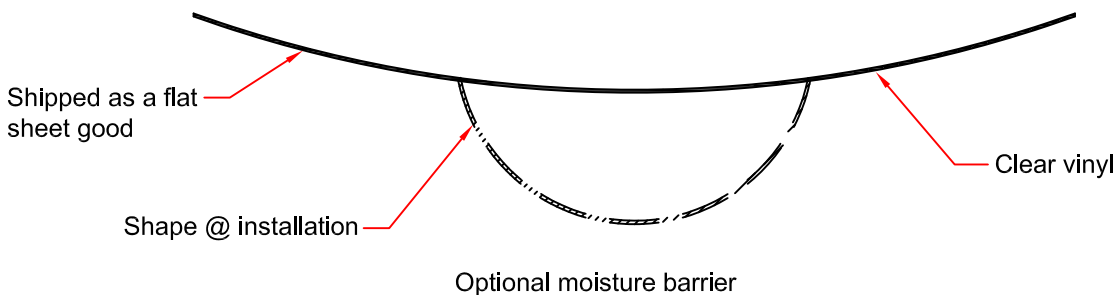
Model	"B"	Part Number	Model	"B"	Part Number
FNB-1000C	3 1/4"	12040	FNB-1800C	5 7/16"	12170
FNB-1200C	3 3/4"	12041	FNB-2400C	5 15/16"	12171

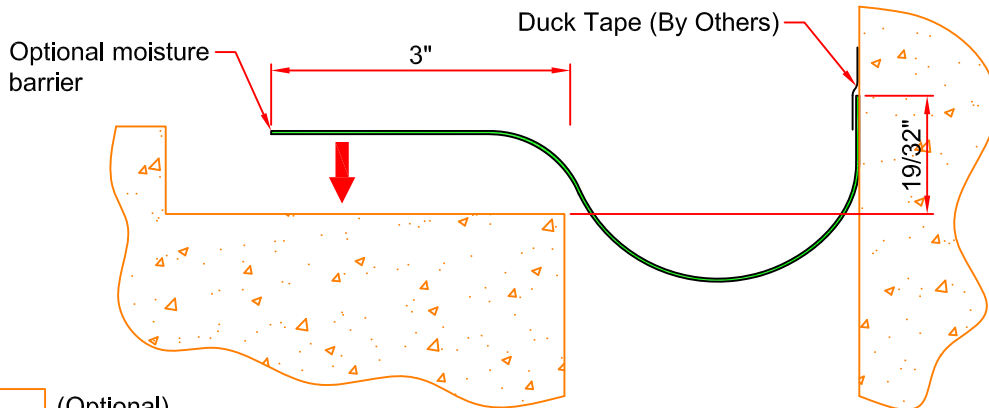
2 29/32"
FNB-800C Extension
P/N: 11091

Installation procedure: FNB-200-2400 SeismicFloor Sys.
Watson Bowman Acme Corp. reserves the right to amend or withdraw any information contained herein without notice and will not be responsible for any inaccuracy or ambiguity of any information contained herein.

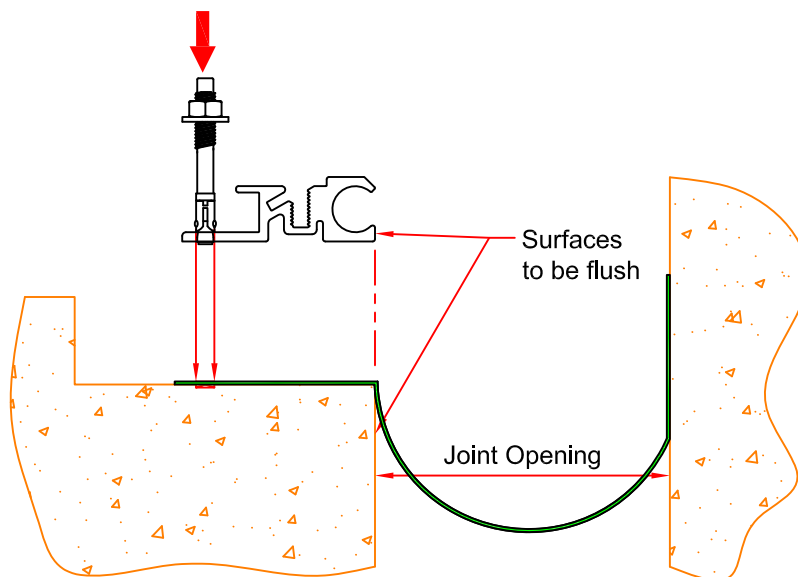
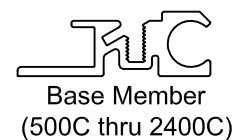
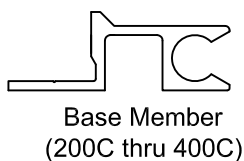
Watson Bowman Acme Corp.
95 Pineview Drive Amherst, NY 14228
phone: (716) 691-7566 fax: (716) 691-9239
website: www.wbacorp.com

Optional Equipment

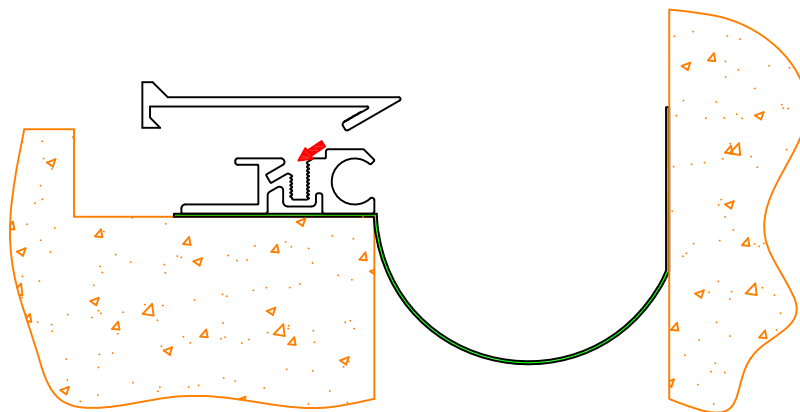




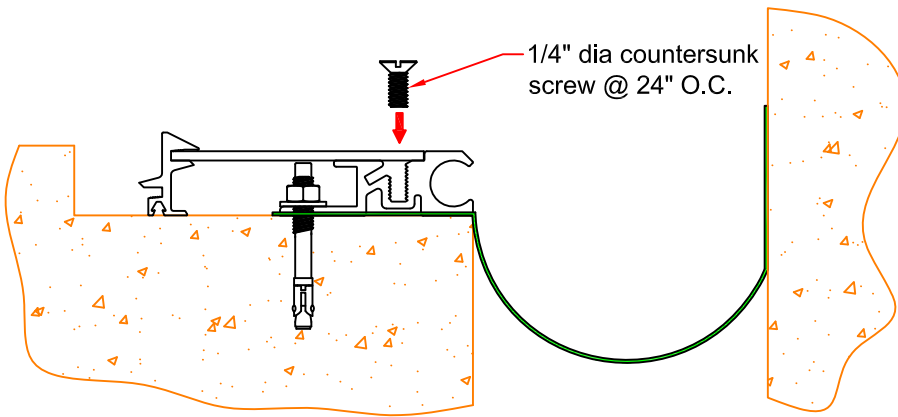
1 (Optional)
Position moisture barrier in to blockout. Maintain proper overlap and temporarily affix with duct tape (if required).



2 Position base member on block out so cavity of base member is flush with edge of opening. Using base member as a template and with its position fixed, drill hole for 1/4" x 2-1/4" concrete anchor to proper depth. Clean out holes.
Notes: Follow hilti's recommendations for proper anchor installation. Remove all debris from moisture barrier by utilizing shop vac.
Caution: do not install all base members prior to reviewing step 4.



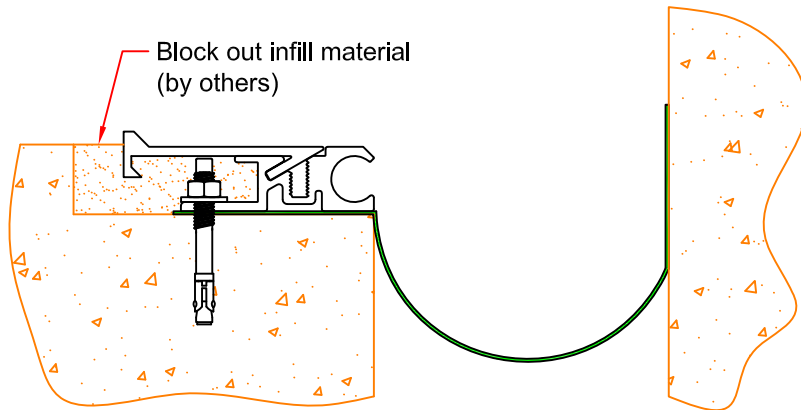
3A (FNB-500C thru FNB-800C)
Attach aluminum extension to base member. Aluminum extension type depends on system size. Check page 1 for proper extension size.



3B

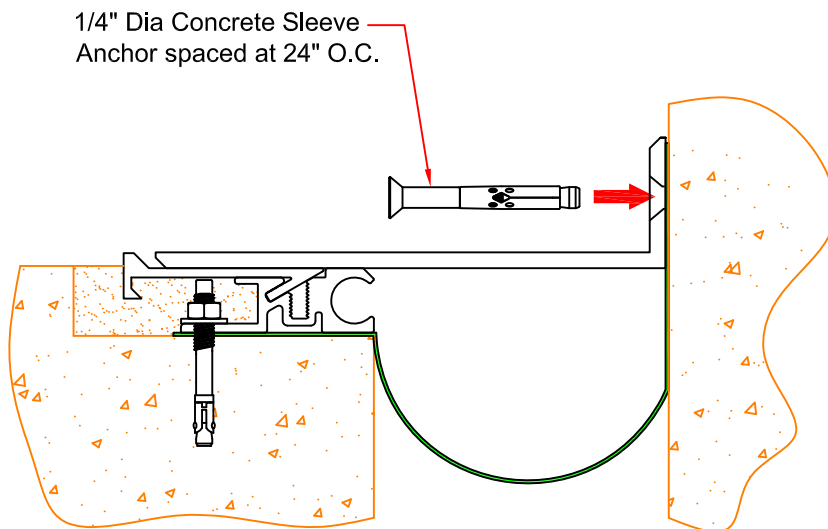
(FNB-1000C thru FNB-2400C)

Attach aluminum extensions to base member. Utilizing the 1/4" Dia x 5/8" lg screw, fasten extension wing to the top of the Aluminum Base Member at the pre-drilled locations in the extension wing.



4

Fill block out with high quality non-shrink cementitious filler material. Protect surfaces during placement of filler material.



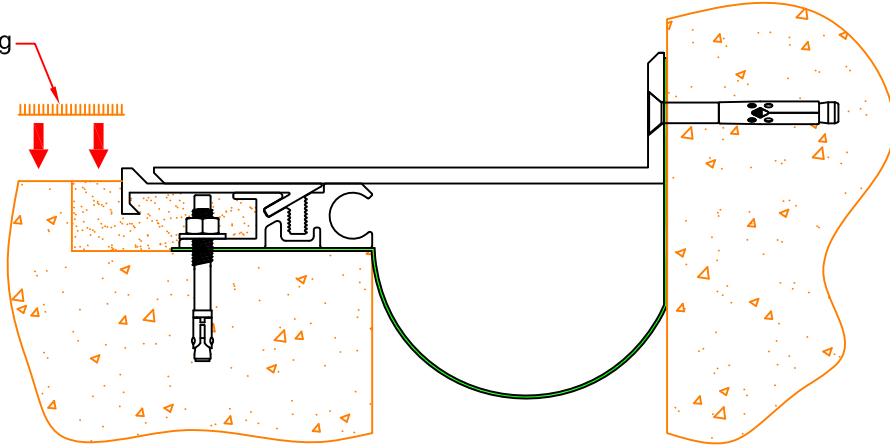
5

Position Corner Coverplate into the assembly and use the cover plate se member as a template and with its position fixed, drill hole for 1/4" Dia concrete anchor to proper depth. Clean out holes.

Notes: Follow hilti's recommendations for proper anchor installation. Remove all debris from moisture barrier by utilizing shop vac.

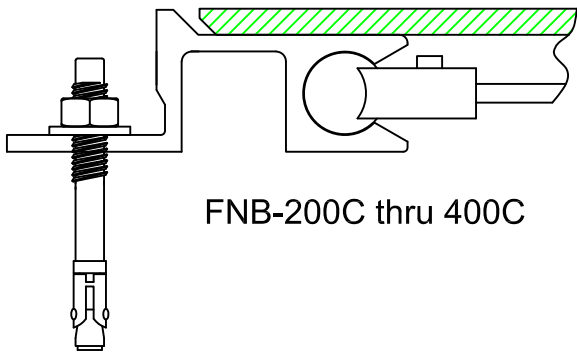


Finished Flooring
(By Others)

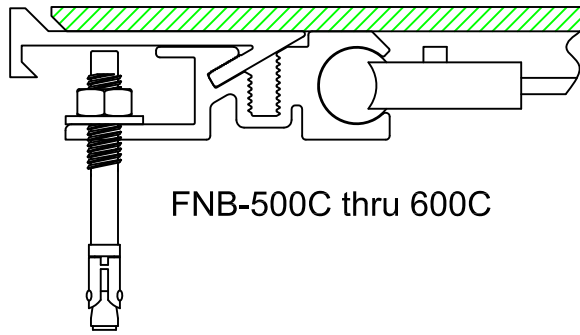


6 Install flooring material. Ensure flush installation with top of expansion joint system.
Caution: Contact flooring manufacturer to discuss application and procedure for proper installation.

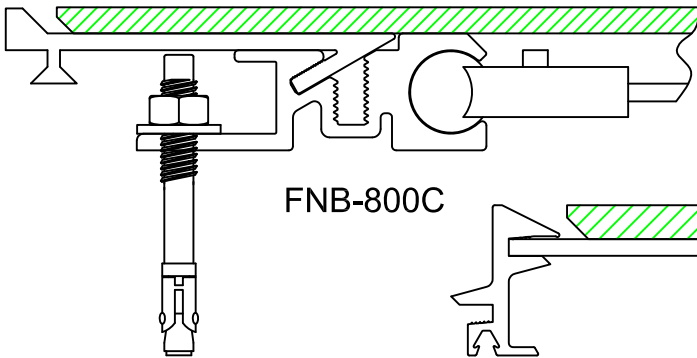
Aluminum Extension Design



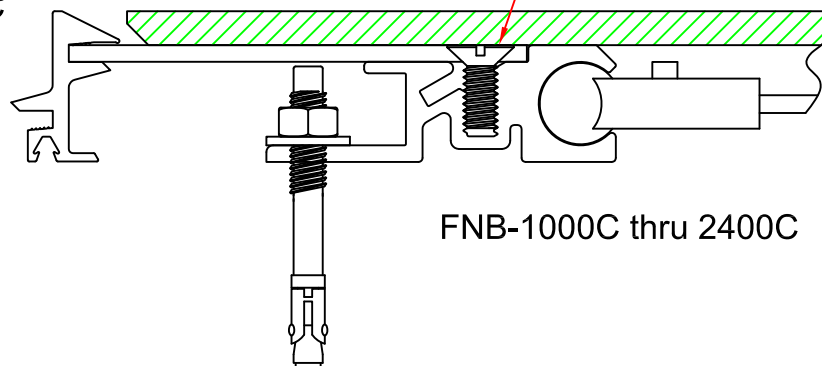
FNB-200C thru 400C



FNB-500C thru 600C



FNB-800C



FNB-1000C thru 2400C

1/4" dia countersunk
screw @ 24" O.C.