



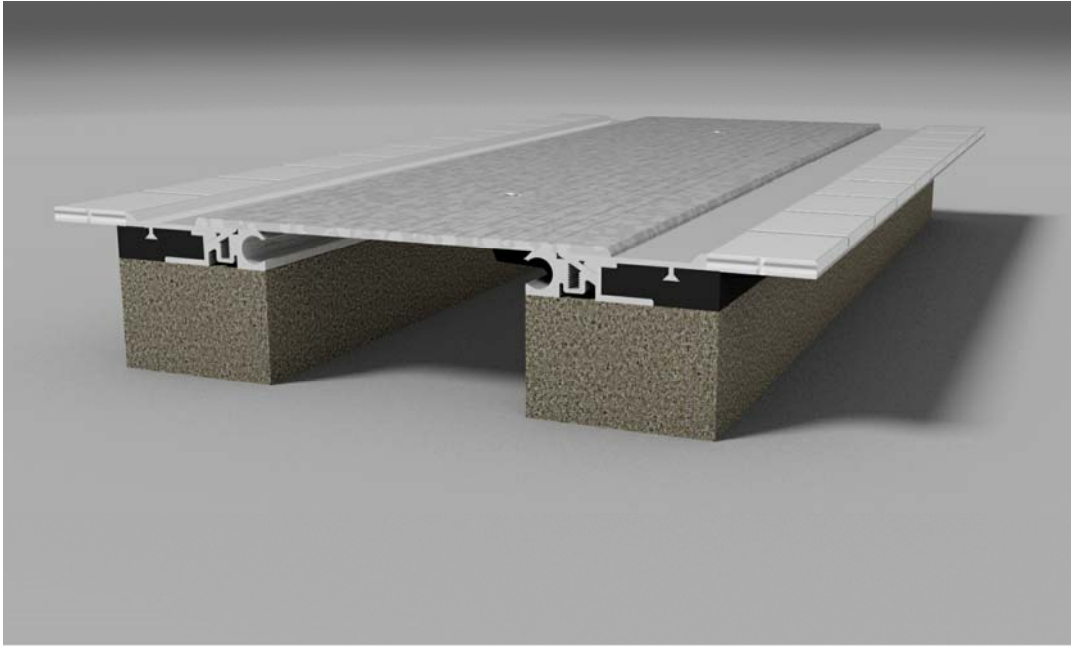
Installation Procedure

Watson Bowman Acme Corp. 95 Pineview Drive Amherst, NY 14228

phone: (716) 691-7566 fax: (716) 691-9239

website: www.wbcorp.com

Information provided herein, including but not limited to, any drawing, design, photograph, graphic, or statement(s) ("Materials") are proprietary and the property of Watson Bowman Acme Corporation ("Company"). Reproduction, translation, or reduction to any electronic medium or machine readable form, in whole or part, is strictly prohibited, except for the express purpose for which it has been furnished, without prior written consent of Company. All Materials contained herein are provided by Company for information purposes only. Company reserves the right to amend or withdraw any information contained in the Materials without notice. All technical or other advice by Company, whether verbal or written, concerning products, or the use of products in specific situations ("Advice") is given by Company and is used at the Users own risk.

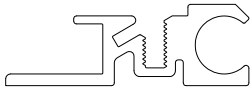


Wabo® SeismicFloor Series Model(s) FJG-400 - 2400 Horizontal Expansion Control Systems

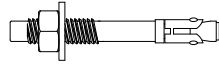
The following installation procedure is very important and must be fully understood prior to beginning any work. To ensure proper installation and performance of expansion joint system the following actions must be completed by the installing contractor. Failure to do so will affect product warranty.

- 1) Carefully read and understand installation procedure. Contact WBA's Technical Service Department at (800) 677-4922 for product assistance.
- 2) Inspect all shipments and materials for missing or damaged components and hardware. Contact Customer Service at (800) 677-4922 with WBA's order number and invoice for prompt assistance.
- 3) Inspect substrate or adjacent construction for acceptance before beginning work. Report unacceptable construction to the project manager for scheduled repair work.
- 4) Review WBA shop drawings for project specific detailed information if Engineering services were purchased at time of order.

Standard components



Aluminum base assembly
P/n: 15804



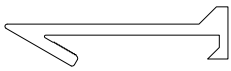
1/4" x 2-1/4" Concrete anchor with nut and washer
p/n 6581



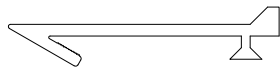
1/4" X 1 1/4" Lg Screw
P/n: 5621

Components shown below vary in size depending on model of system

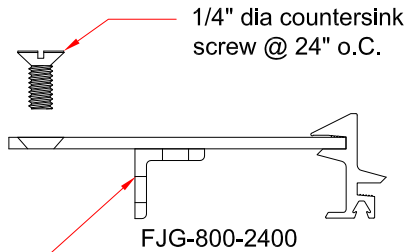
Aluminum extensions



FJG 400



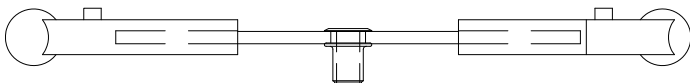
FJG 600



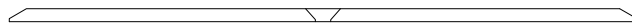
1/4" dia countersink screw @ 24" o.C.

FJG-800-2400

Support angle used only on fig 1800 & 2400



Self-centering bar



3/16" thick center slide plate (#12032B)

Shipped as a flat sheet good

Shape @ installation

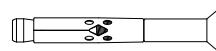
Clear vinyl

Optional moisture barrier

Shown Below are Extra Components Needed for Floor-to-wall Installation.



3/16" Aluminum cover plate



1/4" x 2" CSK flat head concrete anchor

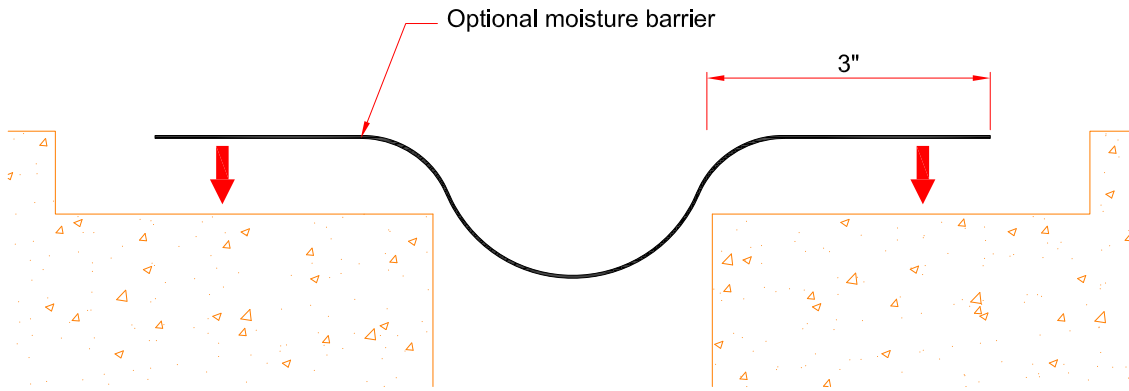
Sheet
1
of 5

Watson Bowman Acme Corp.
95 Pineview Drive Amherst, NY 14228
phone: (716) 691-7566 fax: (716) 691-9239
website: www.wbcorp.com

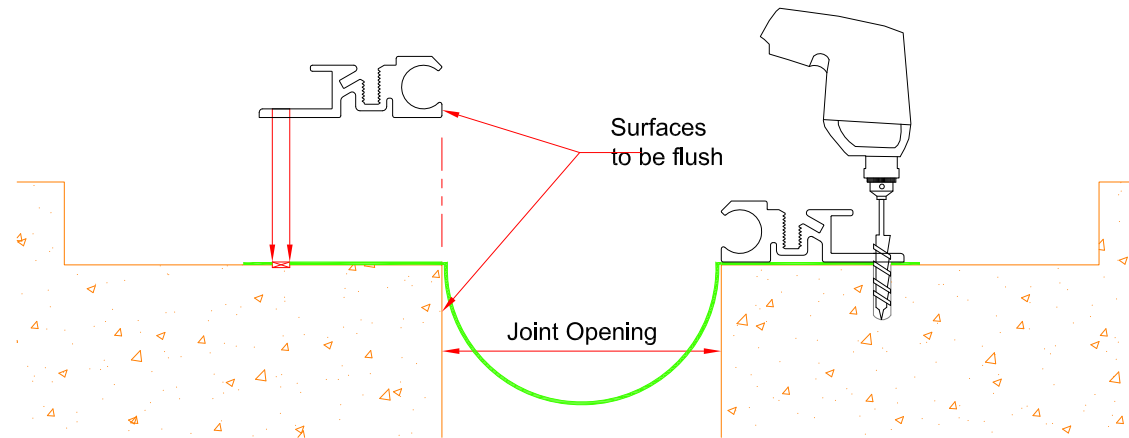
Installation procedure: FJG-400-2400 SeismicFloor Sys.

Watson Bowman Acme Corp. reserves the right to amend or withdraw any information contained herein without notice and will not be responsible for any inaccuracy or ambiguity of any information contained herein.

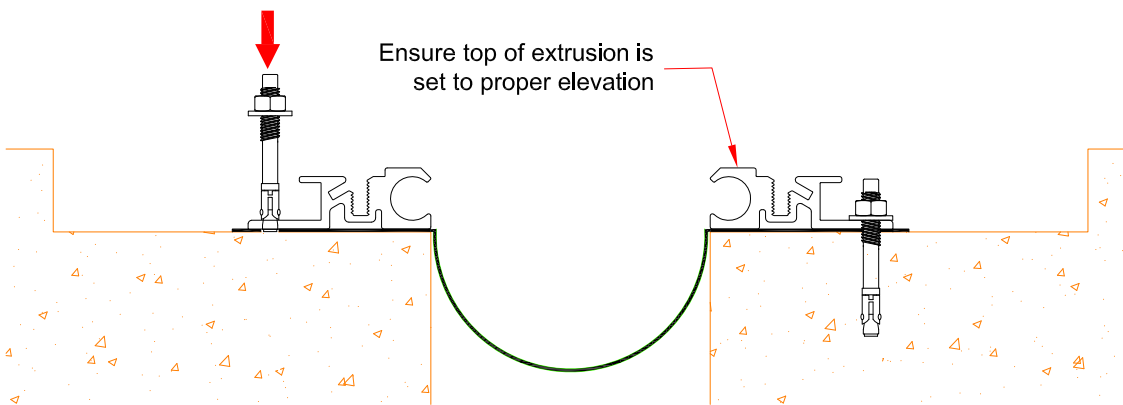




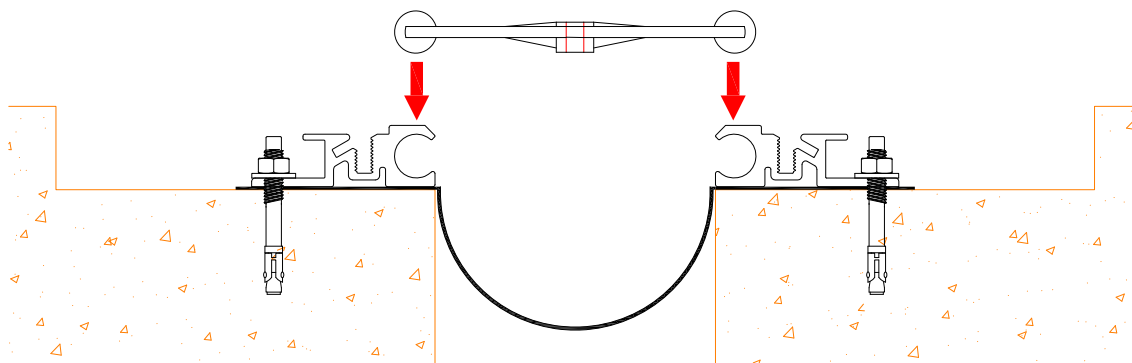
1 (Optional) Position moisture barrier in to blockout. Maintain proper overlap and temporarily affix with duct tape (if required).



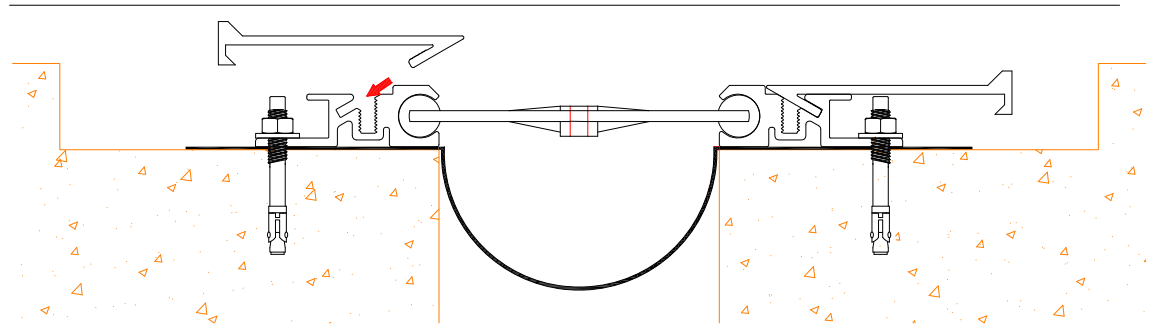
2 Position base member on block out so cavity of base member is flush with edge of opening. Using base member as a template and with its position fixed, drill hole for 1/4" x 2-1/4" concrete anchor to proper depth. Clean out holes.



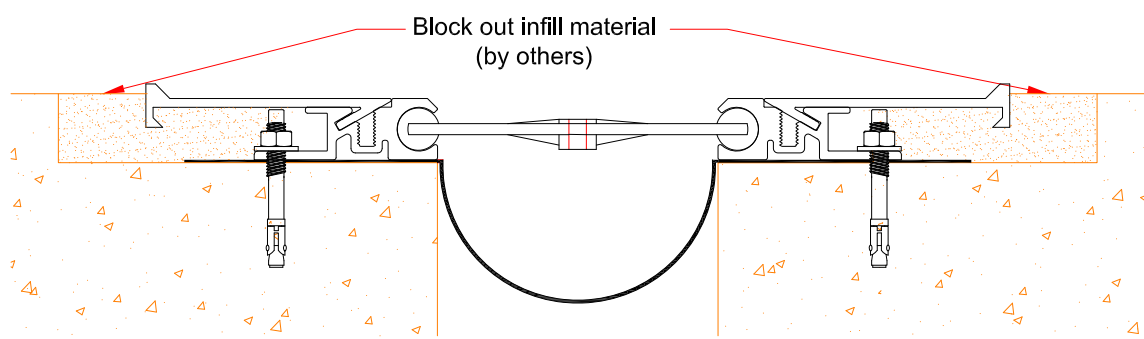
3 Follow hilti's recommendations for proper anchor installation. Remove all debris from moisture barrier by utilizing shop vac. Caution: do not install all base members prior to reviewing step 6.



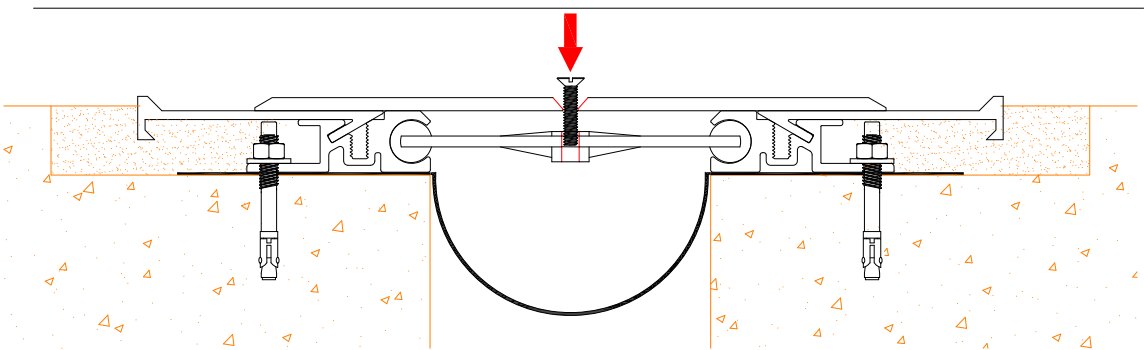
4 As work progresses with placement of base members, install self-centering bars by sliding the spherical ends of the bars into and through the circular cavities of the base members. Set at an approximate spacing of 18" O.C. Ensure that the "top" indicator is facing up and that all bars are in same orientation.



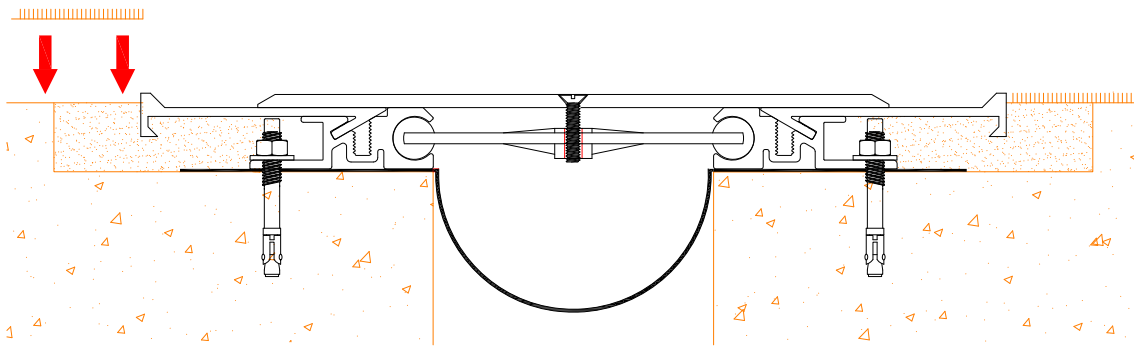
5 Attach aluminum extension to base member. Aluminum extension type depends on system size. Check page 1 for proper extension size.



6 Fill block out with high quality non-shrink cementitious filler material. Protect surfaces during placement of filler material.

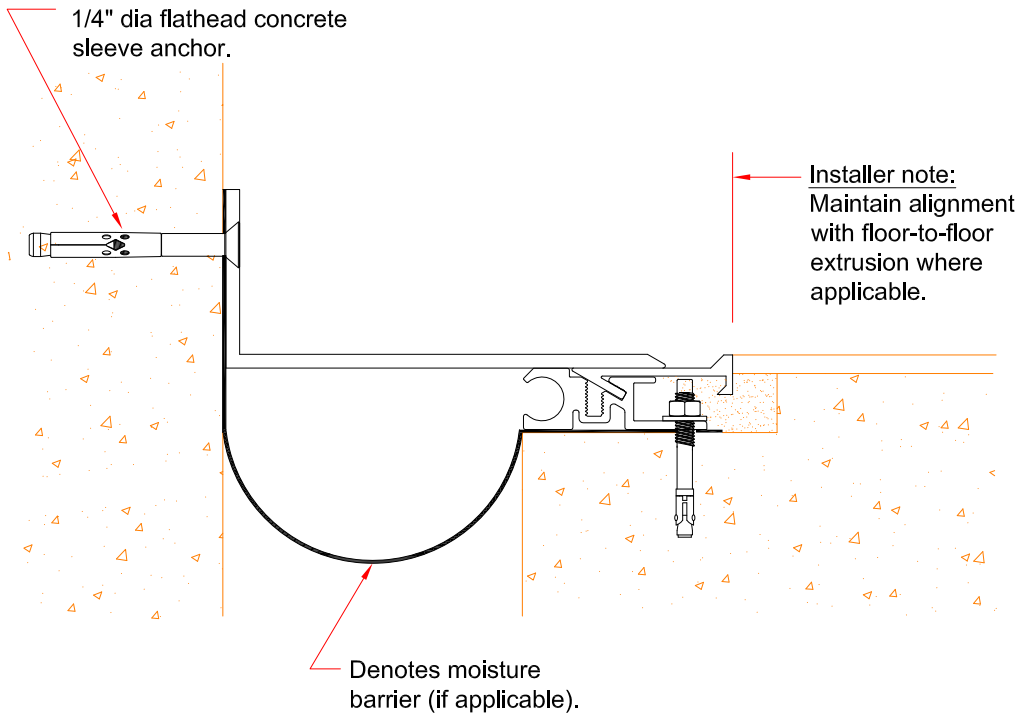


7 Position the center slide plate over expansion opening, align pre-drilled holes in slide plate with threaded insert in self-centering bars. Fasten with 1/4" x 1-1/4" CSK flat screw. Tighten to create measurable tension in the bar.



8 Install flooring material. Ensure flush installation with top of expansion joint system. Caution - contact flooring manufacturer to discuss application and procedure for proper installation.

Floor to wall



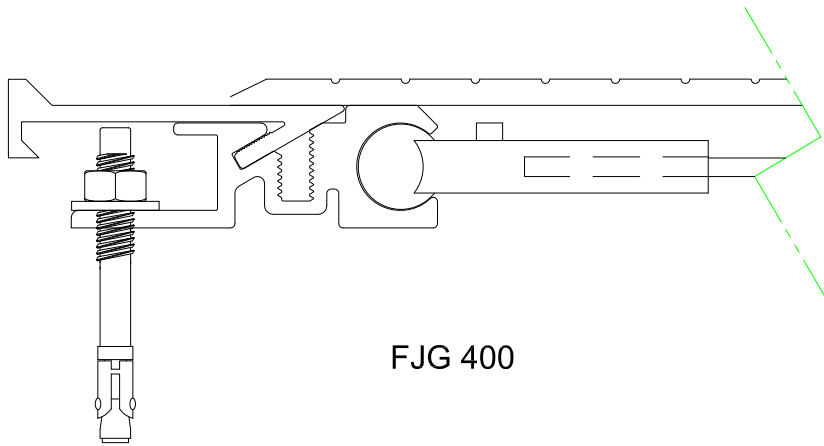
9 Follow the same procedure for floor-to-wall, except use cover plate for floor-to-wall condition and 1/4" CSK concrete flathead expansion anchor. Contact WBA should wall construction dictate alternate style anchor.

Installation procedure: FJG-400-2400 SeismicFloor Sys.
Watson Bowman Acme Corp. reserves the right to amend or withdraw any information contained herein without notice and will not be responsible for any inaccuracy or ambiguity of any information contained herein.

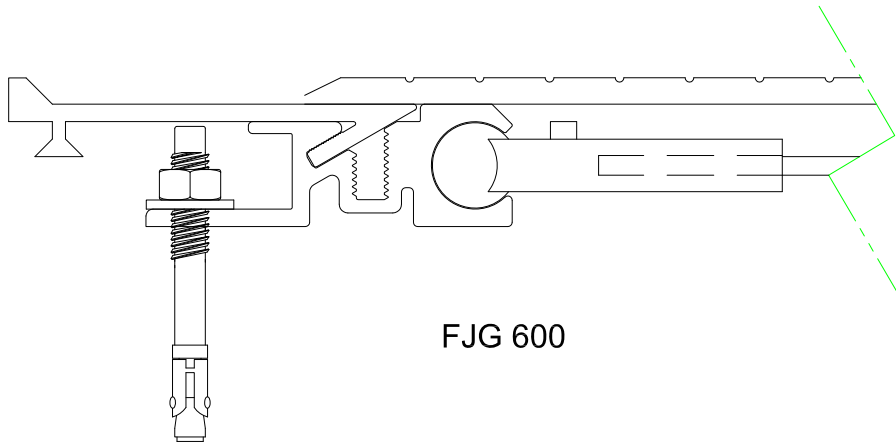


Aluminum Extension Design

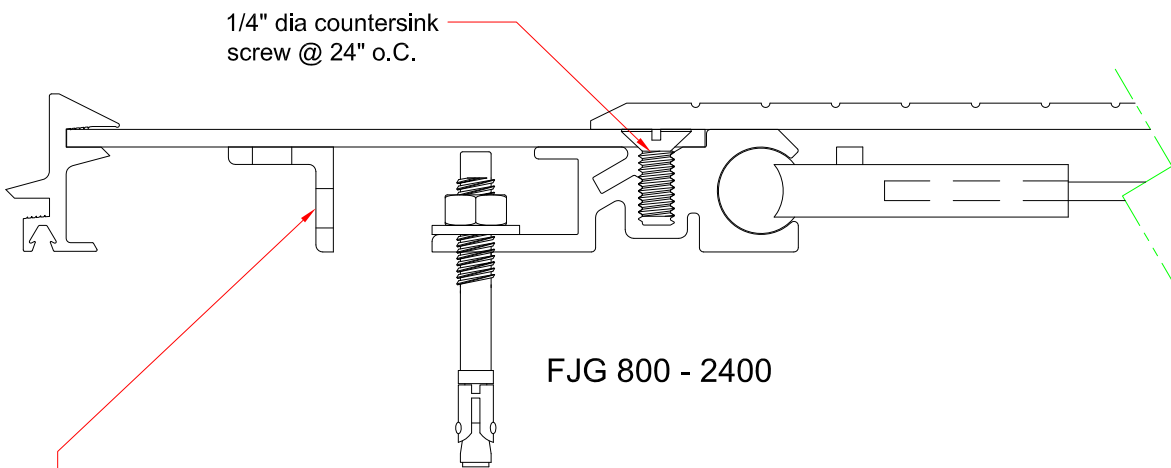
Sheet
5
of 5



FJG 400



FJG 600



FJG 800 - 2400

Support angle use only
on FJG 1800 & 2400

Watson Bowman Acme Corp.
95 Pineview Drive Amherst, NY 14228
phone: (716) 691-7566 fax: (716) 691-9239
website: www.wbacorp.com

Installation procedure: FJG-400-2400 SeismicFloor Sys.
Watson Bowman Acme Corp. reserves the right to amend or withdraw any information contained herein without notice and will not be responsible for any inaccuracy or ambiguity of any information contained herein.

